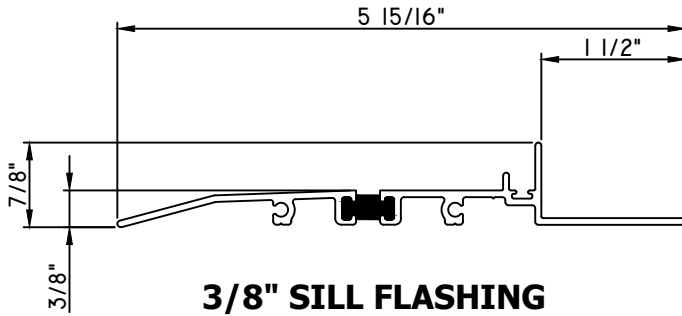




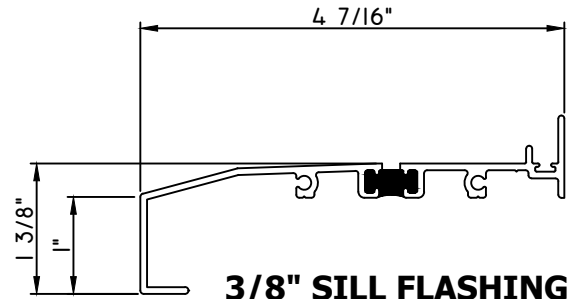
3 1/4" SILL FLASHING



3/8" SILL FLASHING

CE-13716 - SILL FLASHING
 QWP-041608 - END DAM (QTY. 2)
 BRBTT46 - POP RIVET (QTY. 8)

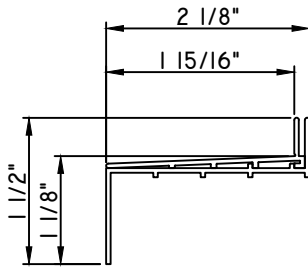
FIELD APPLIED INSTALL ONLY



3/8" SILL FLASHING W/ 1" DOWN LEG

M20963 - SILL FLASHING
 QWP-041608 - END DAM (QTY. 2)
 BRBTT46 - POP RIVET (QTY. 8)

FIELD APPLIED INSTALL ONLY

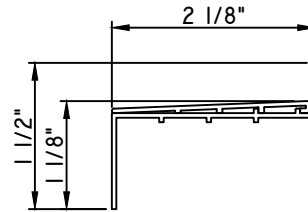


SILL PAN FLASHING

WRS-8006 - SLOPE
 WRS-8007 - CENTER
 PVC CORNER (QTY. 2)

ADDITIONAL PARTS FOR OPENINGS WIDER THAN 10':
 PVC SPLICE

**FIELD APPLIED NAIL FIN INSTALL ONLY
 IN ONLY BE USED ON M600 / MODERNVU WINDOWS**



SILL PAN FLASHING

WRS-8006 - SLOPE
 WRS-8007 - CENTER
 PVC CORNER (QTY. 2)

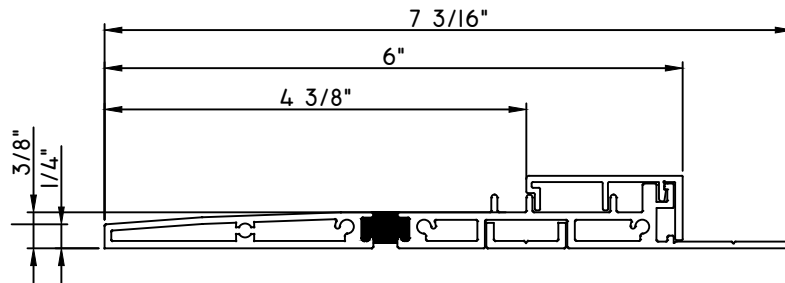
ADDITIONAL PARTS FOR OPENINGS WIDER THAN 10':
 PVC SPLICE

**FIELD APPLIED NAIL FIN INSTALL ONLY
 CAN ONLY BE USED ON MANCHESTER,
 V300 & H600 WINDOWS**



QUAKER
COMMERCIAL

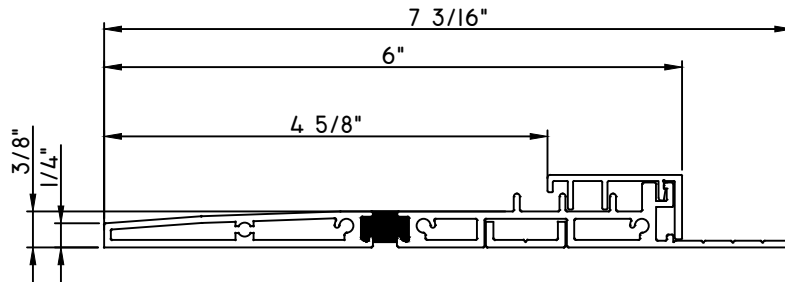
3 1/4" SILL FLASHING



LOW PROFILE SILL FLASHING

- M24494 - SILL FLASHING (New Die)
- M24488 - U CHANNEL (New Die)
- M24490 - M600 FLASHING FILLER (New Die)

FIELD APPLIED INSTALL ONLY



LOW PROFILE SILL FLASHING

- M24493 - SILL FLASHING (New Die)
- M24488 - U CHANNEL (New Die)
- M24489 - H450 FLASHING FILLER (New Die)

FIELD APPLIED INSTALL ONLY